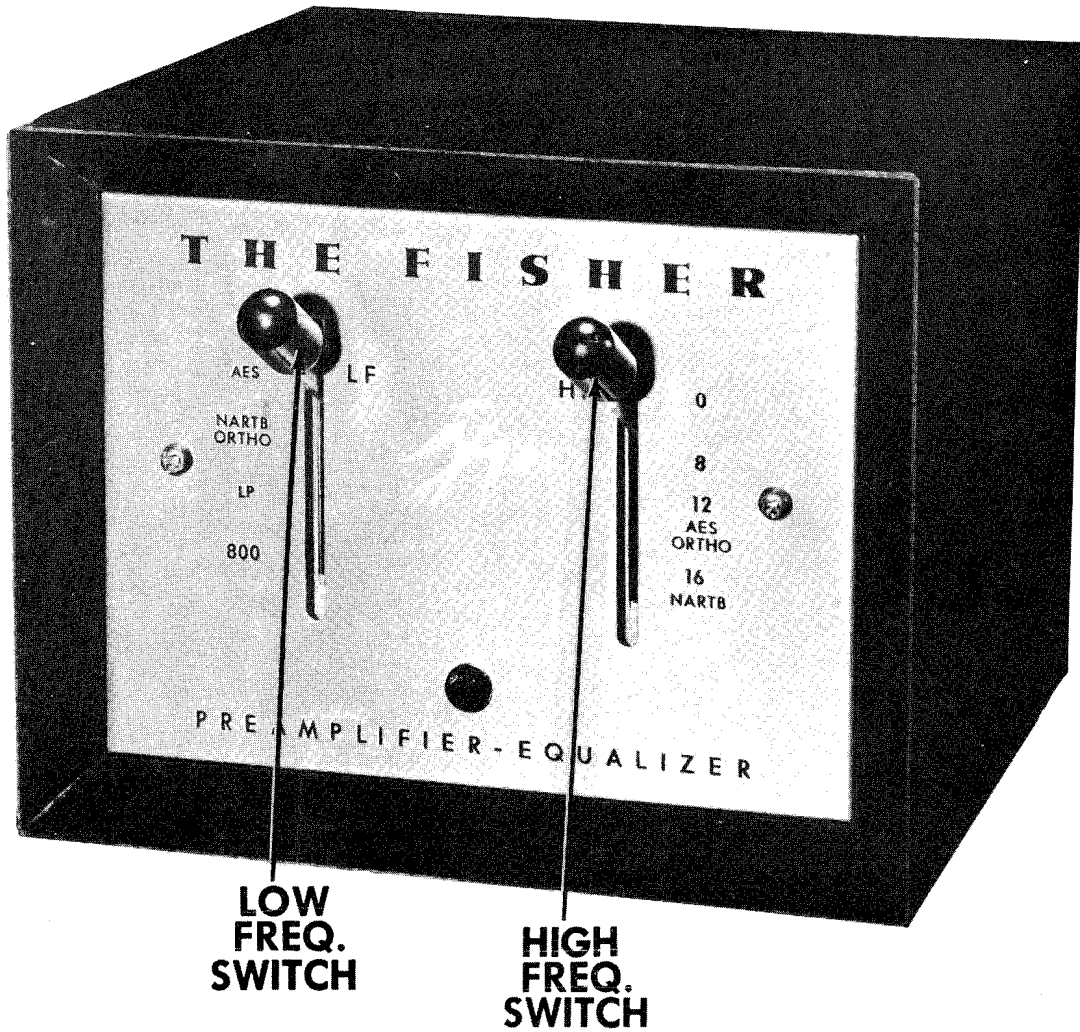




FISHER
MODEL 50-PR



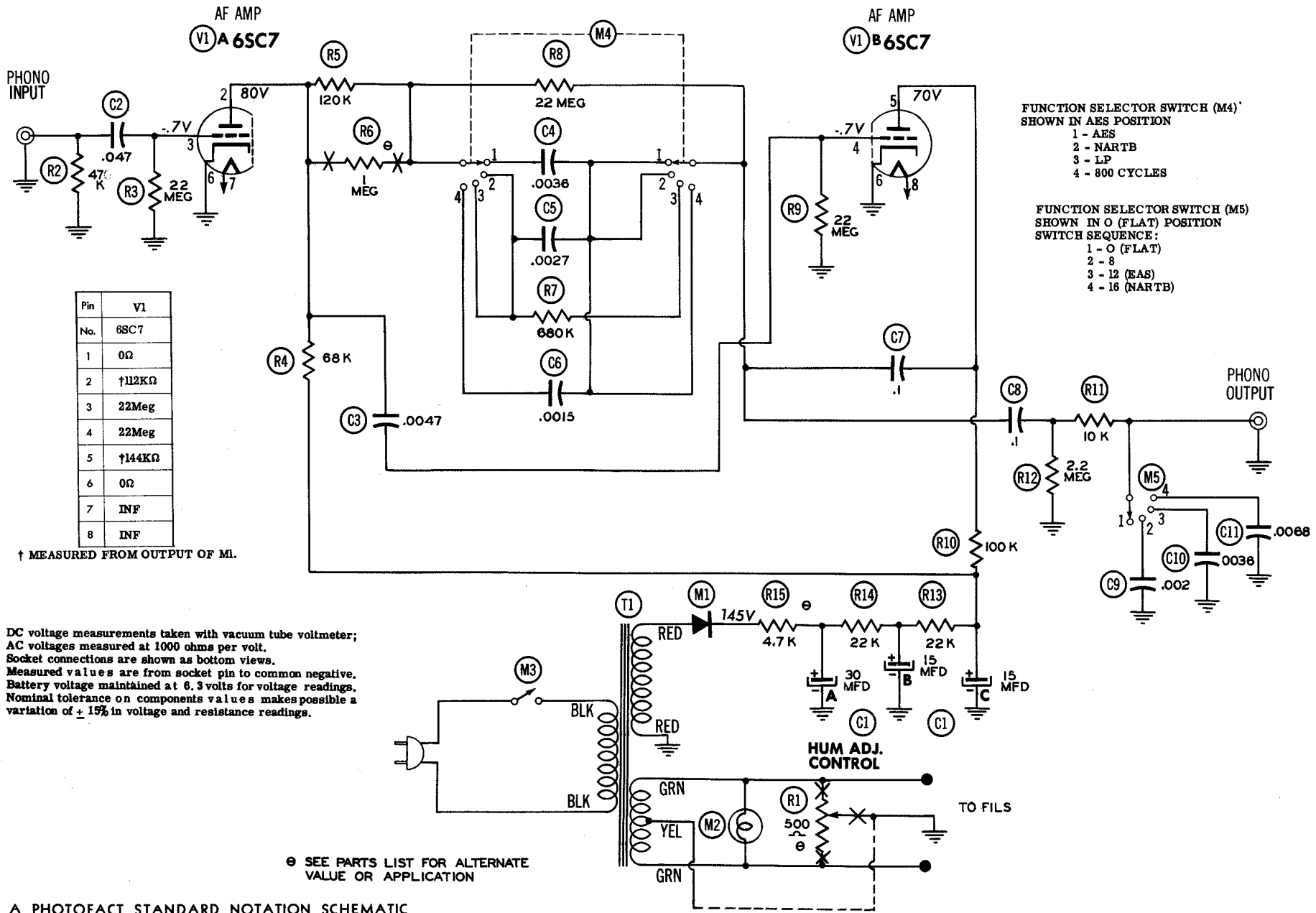
FISHER
MODEL 50-PR

TRADE NAME	Fisher Model 50-PR
MANUFACTURER	Fisher Radio Corp., 21-21 44th. Drive, Long Island City 1, N. Y.
TYPE SET	AC Operated Pre-Amplifier & Equalizer With Self-Contained Power Supply
TUBES (One)	Type 6SC7 AF Amp.
POWER SUPPLY	105-125 Volts AC-50/60 Cycles RATING .05 Amp. @ 117 Volts AC

HOWARD W. SAMS & CO., INC. • Indianapolis 5, Indiana

"The listing of any available replacement part herein does not constitute in any case a recommendation, warranty or guaranty by Howard W. Sams & Co., Inc., as to the quality and suitability of such replacement part. The numbers of these parts have been compiled from information furnished to Howard W. Sams & Co., Inc., by the manufacturers of the particular type of replacement part listed."
"Reproduction or use, without express permission, of editorial or pictorial con-

tent, in any manner, is prohibited. No patent liability is assumed with respect to the use of the information contained herein. Copyright 1955 by Howard W. Sams & Co., Inc., Indianapolis 5, Indiana, U. S. of America. Copyright under International Copyright Union. All rights reserved under Inter-American Copyright Union (1910) by Howard W. Sams & Co., Inc." Printed in U. S. of America



Pin	V1
No.	6SC7
1	0Ω
2	†112KΩ
3	22Meg
4	22Meg
5	†144KΩ
6	0Ω
7	INF
8	INF

† MEASURED FROM OUTPUT OF M1.

1. DC voltage measurements taken with vacuum tube voltmeter; AC voltages measured at 1000 ohms per volt.
2. Socket connections are shown as bottom views.
3. Measured values are from socket pin to common negative.
4. Battery voltage maintained at 6.3 volts for voltage readings.
5. Nominal tolerance on components values makes possible a variation of ± 15% in voltage and resistance readings.

⊙ SEE PARTS LIST FOR ALTERNATE VALUE OR APPLICATION

PARTS LIST AND DESCRIPTIONS

TUBES (SYLVANIA, GENERAL ELECTRIC, WESTINGHOUSE)

FISHER
MODEL 50-PR

ITEM No.	USE	REPLACEMENT DATA		RETMA BASE TYPE	NOTES
		FISHER PART No.	STANDARD REPLACEMENT		
V1	AF Amplifier	6SC7	6SC7	8S	

CAPACITORS

Capacity values given in the rating column are in mfd. for Electrolytic and Paper Capacitors, and in mmfd. for Mica and Ceramic Capacitors.

ITEM No.	RATING		REPLACEMENT DATA						NOTES	
	CAP.	VOLT	FISHER PART No.	AEROVOX PART No.	CENTRALAB PART No.	CORNELL-DUBILIER PART No.	ERIE PART No.	MALLORY PART No.		SPRAGUE PART No.
C1A	.30	150	C-515-212	AFH3-16				FP311.4	TVL-3534	
B	.15	150								
C	.15	150								
C2	.047	200	C-68P473M2	P288-047	DF-503	PJ2847		PT4147	2TM-S47	
C3	.0047	200	C-68P472F2	P688-0047	D6-472	CUB6D47	GP2-333-472	PT6247	6TM-D47	
C4	.0036	200	C-68P362K2							
C5	.0027	200	C-68P272K2							
C6	.0015	200	C-68P152K2							
C7	.1	200	C-68P104M2	P288-1	DF-104	PJ2P1		PT401	2TM-P1	
C8	.1	200	C-68P104M2	P288-1	DF-104	PJ2P1		PT401	2TM-P1	
C9	.002	200	C-68P202K2							
C10	.0036	200	C-68P362K2							
C11	.0068	200	C-68P682K2							

CONTROLS

ITEM No.	RATING		REPLACEMENT DATA				INSTALLATION NOTES	
	RESISTANCE	WATTS	FISHER PART No.	IRC PART No.	CLAROSTAT PART No.	CENTRALAB PART No.		MALLORY PART No.
R1	500Ω	1	R-516-128		39-500			Hum Adjustment -Note

Note . Not used in all Models.

RESISTORS

ITEM No.	RATING		REPLACEMENT DATA		NOTES	ITEM No.	RATING		REPLACEMENT DATA		NOTES
	OHMS	WATT	FISHER PART No.	IRC PART No.			OHMS	WATT	FISHER PART No.	IRC PART No.	
R2	470KΩ	1/2W	RC-20BF474K	BTS-470K		R9	22Meg	1/2W	RC-20BF226K	BTS-22Meg	
R3	22Meg	1/2W	RC-20BF226K	BTS-22Meg		R10	100KΩ	1/2W	RC-20BF104K	BTS-100K	
R4	68KΩ	1/2W	RC-20BF683K	BTS-68K		R11	10KΩ	1/2W	RC-20BF103K	BTS-10K	
R5	120KΩ	1/2W	RC-20BF124K	BTS-120K		R12	2.2Meg	1/2W	RC-20BF225K	BTS-2.2Meg	
R6	1Meg	1/2W	RC-20BF105K	BTS-1Meg	Note	R13	22KΩ	1/2W	RC-20BF223K	BTS-22K	
R7	680KΩ	1/2W	RC-20BF684K	BTS-680K		R14	22KΩ	1/2W	RC-20BF223K	BTS-22K	
R8	22Meg	1/2W	RC-20BF226K	BTS-22Meg		R15	4700Ω	1/2W	RC-20BF472K	BTS-4700	Note

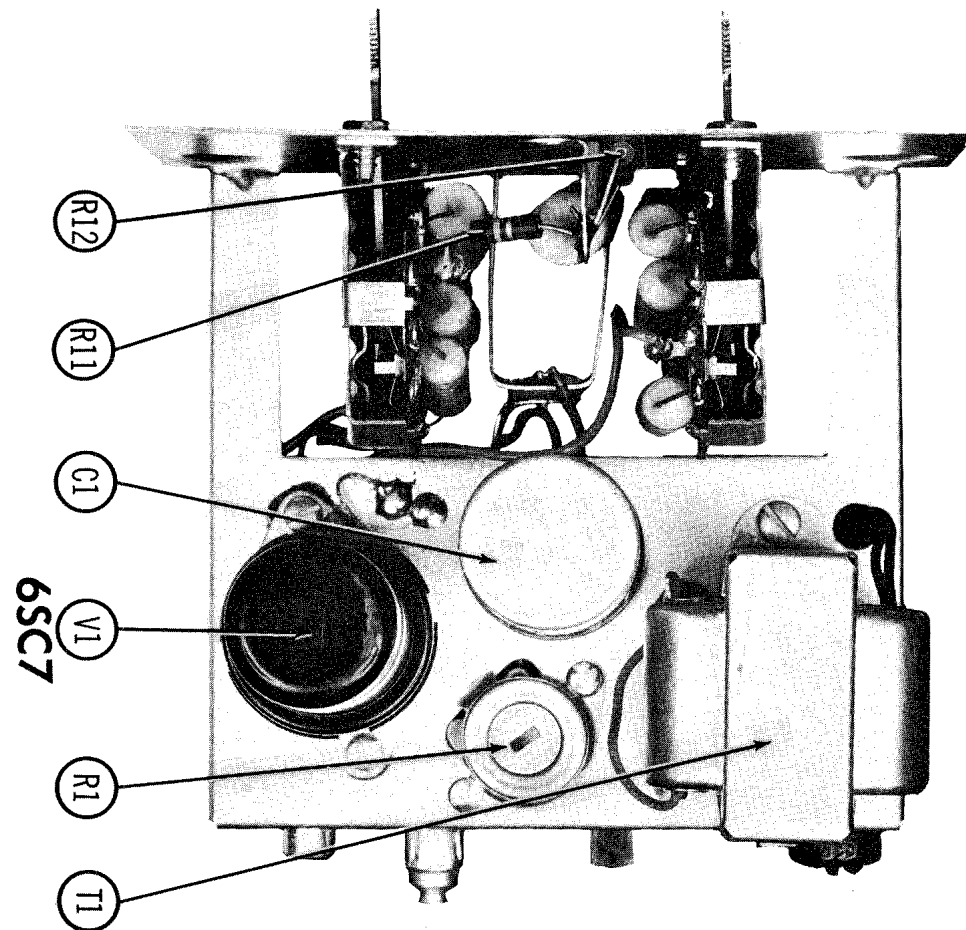
Note . Not used in all models.

TRANSFORMER (POWER)

ITEM No.	RATING				REPLACEMENT DATA					
	PRI.	SEC. 1	SEC. 2	SEC. 3	FISHER PART No.	Stancor PART No.	Merit PART No.	Triad PART No.	Halldorson PART No.	Thordarson PART No.
T1	117VAC @ .05A	115VAC	6VAC @ .49A		515-118 ①	PS-8415			P9100	

① 6.3V center tap not used.

CHASSIS—TOP VIEW



PARTS LIST AND DESCRIPTIONS (Continued)

SELENIUM RECTIFIER

ITEM No.	RATING	REPLACEMENT DATA						NOTES
	CURRENT	FISHER PART No.	FEDERAL PART No.	INTERNATIONAL PART No.	MALLORY PART No.	SARKIS TARZIAN PART No.	SELETRON PART No.	
M1	.0007ADC	SR-50011-1	1159	CR-20	8S20	10	8Y1	

MISCELLANEOUS

ITEM No.	PART NAME	FISHER PART No.	NOTES
M2	Dial Light	I-50009-2	#51, Bayonet
M3	Switch	S-515-119	On/off
M4	Switch	S-50005	Low Frequency
M5	Switch	S-50005	High Frequency

CHASSIS—BOTTOM VIEW

